

### TRIKE ATTACHMENT BRACKETS (hang blocks)

**ANTARES TT**  **FRENCH 3 (with plates by default)**

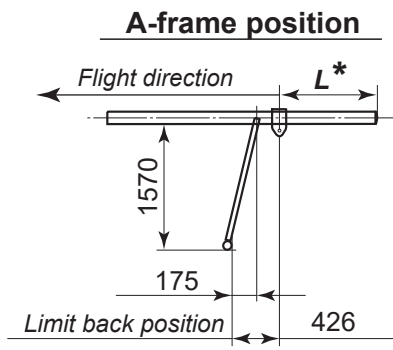
**A min = 70 mm**  
**A = ..... mm**  
**A max = 80 mm**

### OPTIONS

Position & steady lights  Training bars

**WINGLET COLOR**  
 Black  White

**STRUTS, DOWNTUBES AND CONTROL BAR COLOR**  
 Black  White  Silver



**\* Limit hang block positions**  
**L min** (in back El.trim device position) = 800 mm  
**L max** (in front El.trim device position) = 880 mm

### SAIL CLOTH

1. Leading edge	DP - Color MT 170 <input type="checkbox"/> <input type="checkbox"/> <input type="checkbox"/> <input type="checkbox"/>	DP - PEB 10 <input type="checkbox"/>
2. Upper surface	Porcher NCV, DP - PEB 10	clear <input type="checkbox"/>
3. Bottom surface	3.1 DP - Color MT 170 <input type="checkbox"/> <input type="checkbox"/> <input type="checkbox"/> <input type="checkbox"/>	
	3.2 DP - Color MT 170, white only	
	3.3 DP - Color MT 170 <input type="checkbox"/> <input type="checkbox"/> <input type="checkbox"/> <input type="checkbox"/>	
4. Keel pocket	DP - Color MT 170 <input type="checkbox"/> <input type="checkbox"/> <input type="checkbox"/> <input type="checkbox"/>	
5. Letters	Insignia cloth: Black <input type="checkbox"/> Red <input type="checkbox"/> Fluoro Green <input type="checkbox"/> White <input type="checkbox"/> Dark Blue <input type="checkbox"/> Fluoro Orange <input type="checkbox"/>	

### Dimension Polyant MT170 colors:

- White .....0000
- Black .....2100
- Grey .....2328
- Red .....3125
- Hot Red .....3105
- Orange .....4197
- Yellow .....5076
- Hot Yellow ...5280
- Green .....6047
- Hot Green ..6094
- Dark Blue ...7352

**StingRay is equipped with winglets and trim device in the factory state**

**Date:** \_\_\_\_\_ **Your order #:** \_\_\_\_\_

**Dealer:** \_\_\_\_\_ **Notes:** \_\_\_\_\_

**Customer:** \_\_\_\_\_

**Trike:** \_\_\_\_\_

Filled by Aeros	
Sail #:	Order #:
Frame #:	Production date: