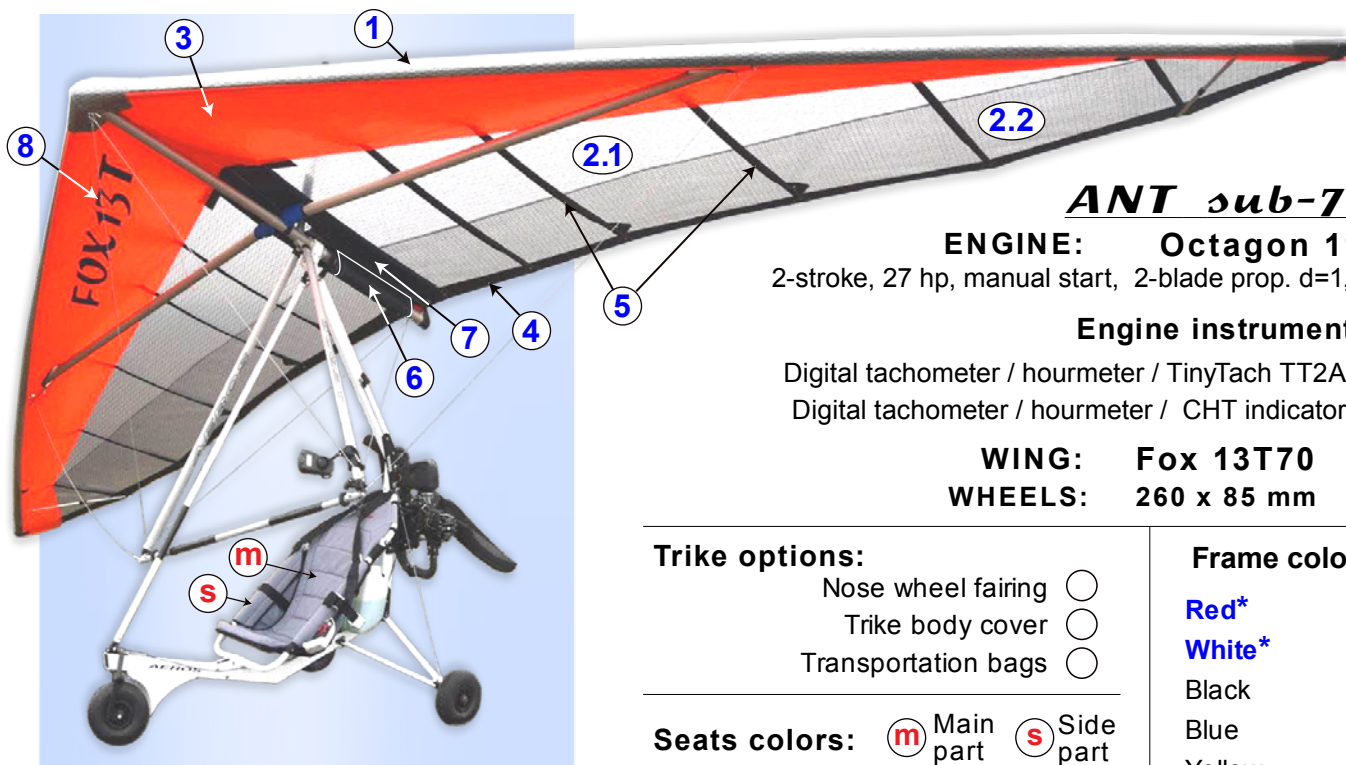


Aeros Nanolight Trike · 70

AEROS

v. 2020.03.25



ANT sub-70

ENGINE: Octagon 190

2-stroke, 27 hp, manual start, 2-blade prop. d=1,3 mm

Engine instruments :

Digital tachometer / hourmeter / TinyTach TT2A

Digital tachometer / hourmeter / CHT indicator

WING: Fox 13T70

WHEELS: 260 x 85 mm

Trike options:

Nose wheel fairing

Trike body cover

Transportation bags

Seats colors: Main part Side part

Black

Grey

Another**

Seats material: Cloth

Frame color:

Red*

White*

Black

Blue

Yellow

Another**

* without extra cost;

** please, specify in notes

FOX13T70 sail cloth

1. Leading edge	DP - Color MT 170	<input type="checkbox"/>
	DP - ODL 04.5	<input type="checkbox"/>
	DP - PXB 05	<input type="checkbox"/>
	DP - PEB 05, black	<input type="checkbox"/>
2. Top surface	Porcher NCV, clear	<input type="checkbox"/>
	DP - ODL 04.5 UV	<input type="checkbox"/>
	2.1 - DP - PXB 05 2.2 - DP - PXB 10	<input type="checkbox"/>
3. Bottom surface	DP - Color MT 170	<input type="checkbox"/>
4. Trailing edge reinforcement	DP - Color MT 170	<input type="checkbox"/>
5. Batten pockets	DP - Color MT 170	<input type="checkbox"/>
6. Keel pocket	DP - Color MT 170	<input type="checkbox"/>
7. Top surface reinforcement	DP - Color MT 170	<input type="checkbox"/>
8. Letters	Insignia cloth:	
	Black	<input type="checkbox"/>
	White	<input type="checkbox"/>
	Red	<input type="checkbox"/>
	Dark Blue	<input type="checkbox"/>
	Fluoro Green	<input type="checkbox"/>
	Fluoro Orange	<input type="checkbox"/>

Dimension Polyant - MT170 colors:

White..0000	Hot Red.....3105	Green.....6047
Black..2100	Orange.....4197	Hot Green..6094
Grey...2328	Yellow.....5076	Dark Blue...7352
Red....3125	Hot Yellow..5280	

Main features of ANT sub-70:

- quick-foldable frame
- quick-detachable engine
- 35.4 kg weight

Date: _____

Notes: _____

Your order #: _____

Dealer: _____

Customer: _____

Filled by Aeros	
Trike #:	Order #:
Wing #:	Production date:
Engine #:	