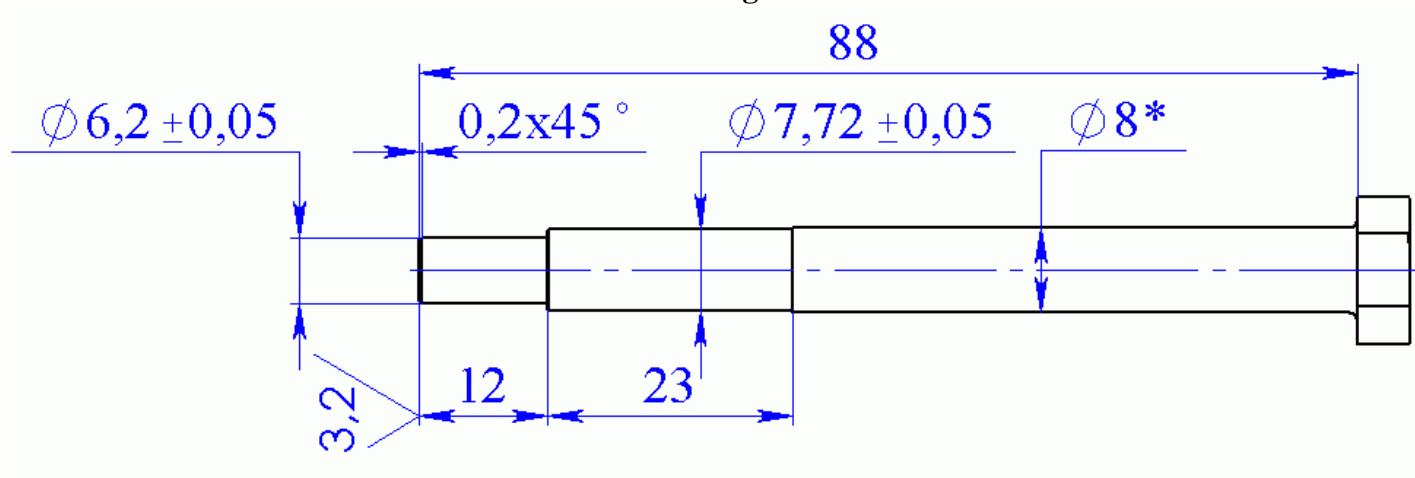


To disconnect a side wire from the upright's bottom fitting you need the next tools:

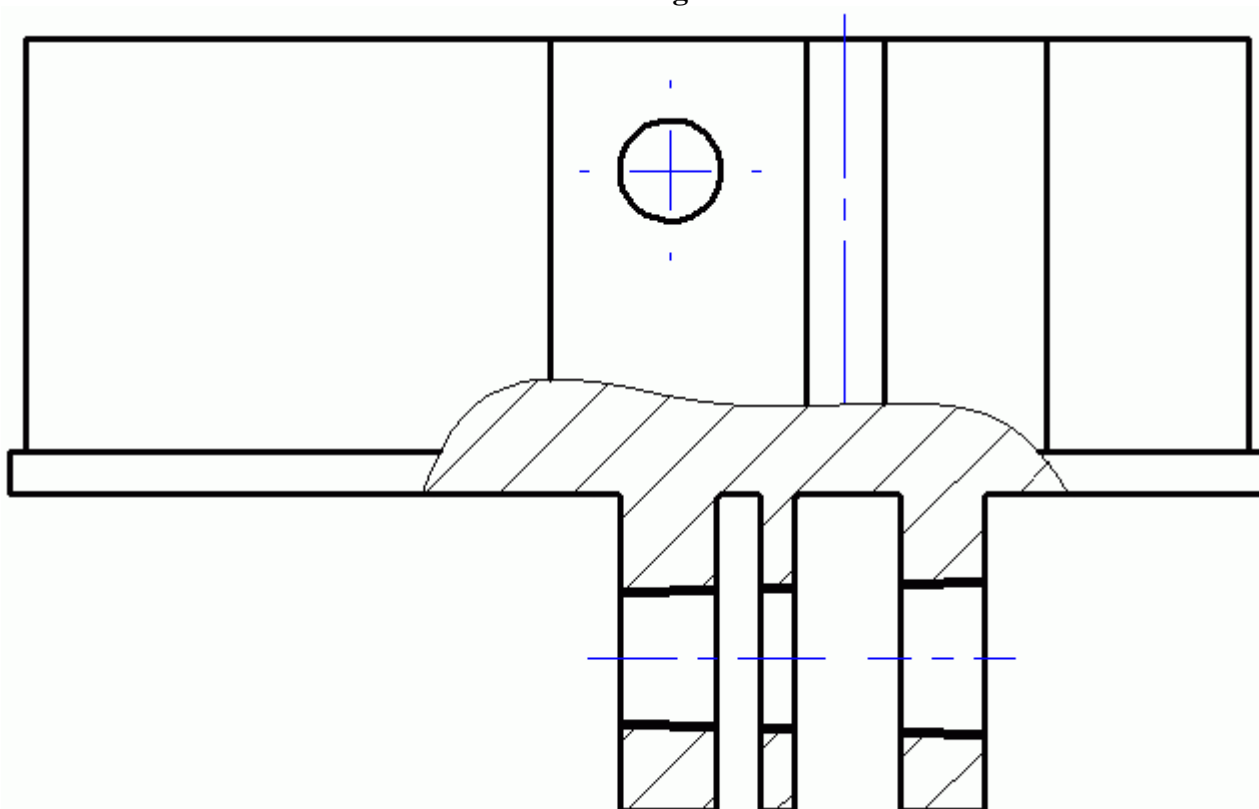
1. Sleeve extractor (drive-out metal stick). See drawing 1 below.
2. Hand hammer.

Drawing 1



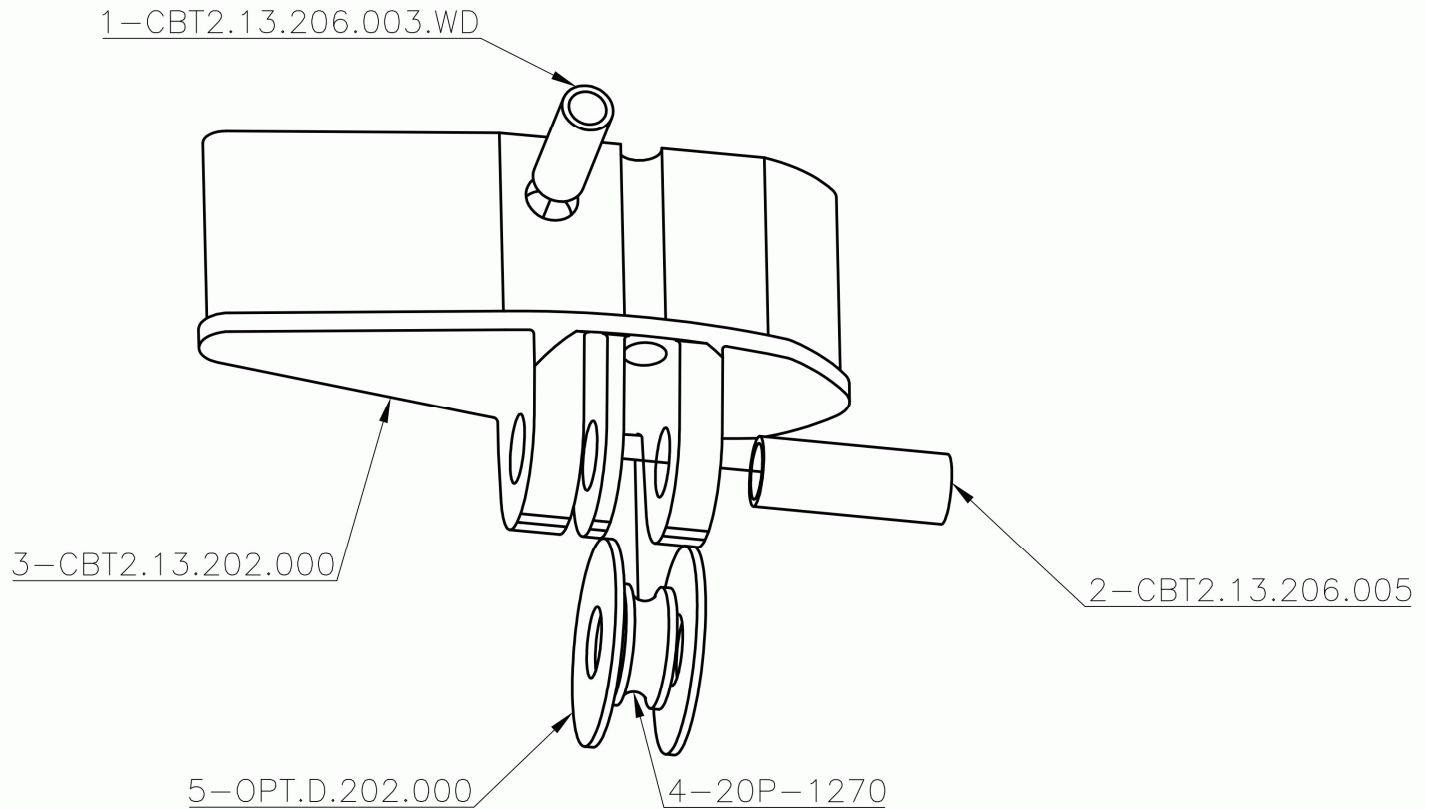
This sleeve (bush CBT2.13.206.005) should be knocked out from the rear to front side of this fitting, because the bore has a cone profile. It's slightly tapered to the back side. See drawing 2 below.

Drawing 2



PLEASE NOTE: this sleeve may hold on not only a side wire's tang (CBT2.13.351.000) but a small pulley too. This pulley is an assembly of a washer (OPT.D.202.000), a ball bearing (2OP-1270) and a washer (OPT.D.202.000) again. See drawing 3 at the next page.

Drawing 3



It's not necessary to knock out the sleeve in a full length. It will be enough to shift the sleeve until the tang could be easily removed. So the pulley is left at the same place and therefore can't be lost.

Connect the tang of the new side wire and carefully hammer in the sleeve back into the fitting.

PLEASE NOTE: the above-mentioned tang has an asymmetrical form. So it should be faced down by the sole right angled corner. See drawing 4.

Drawing 4

