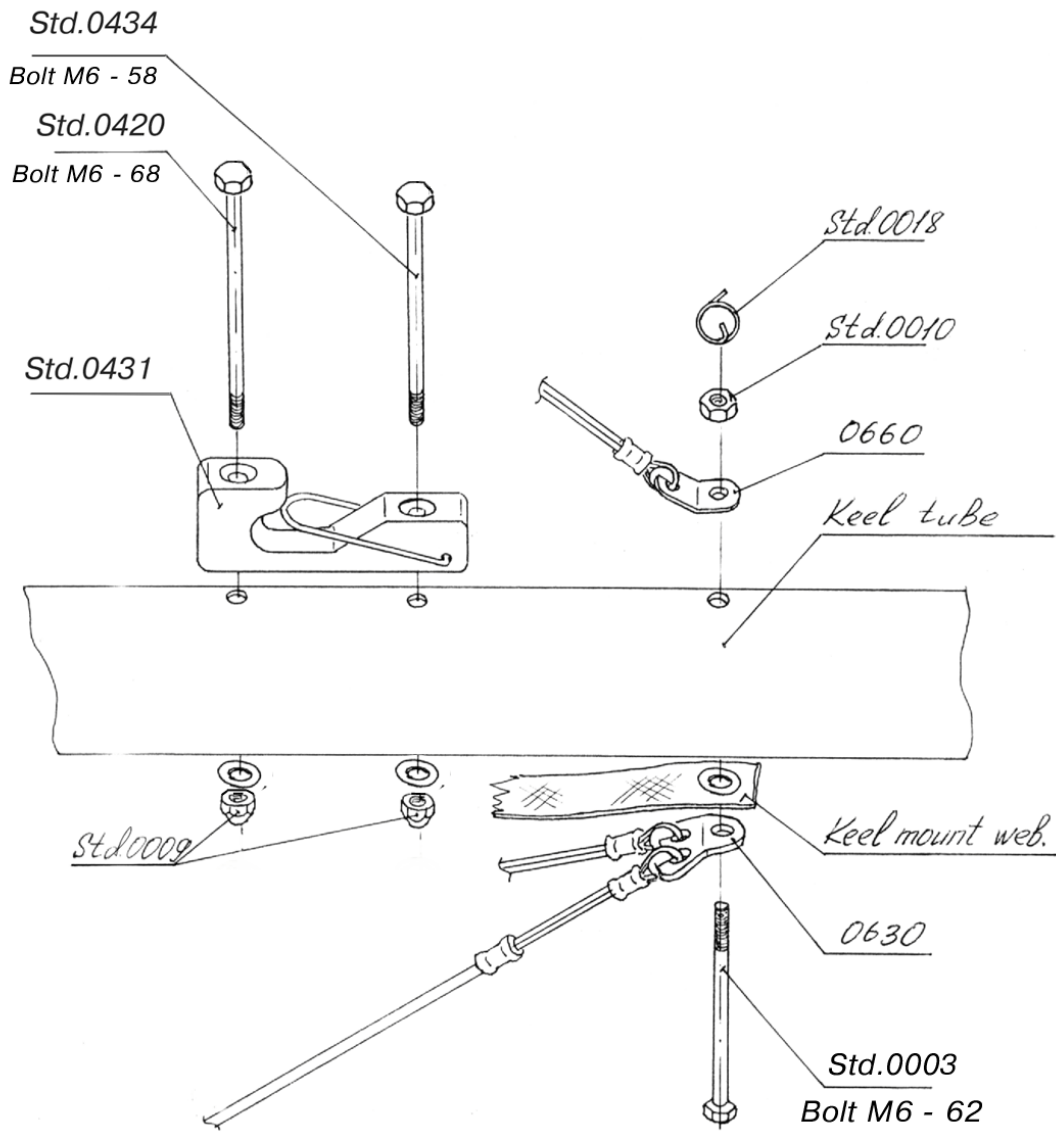


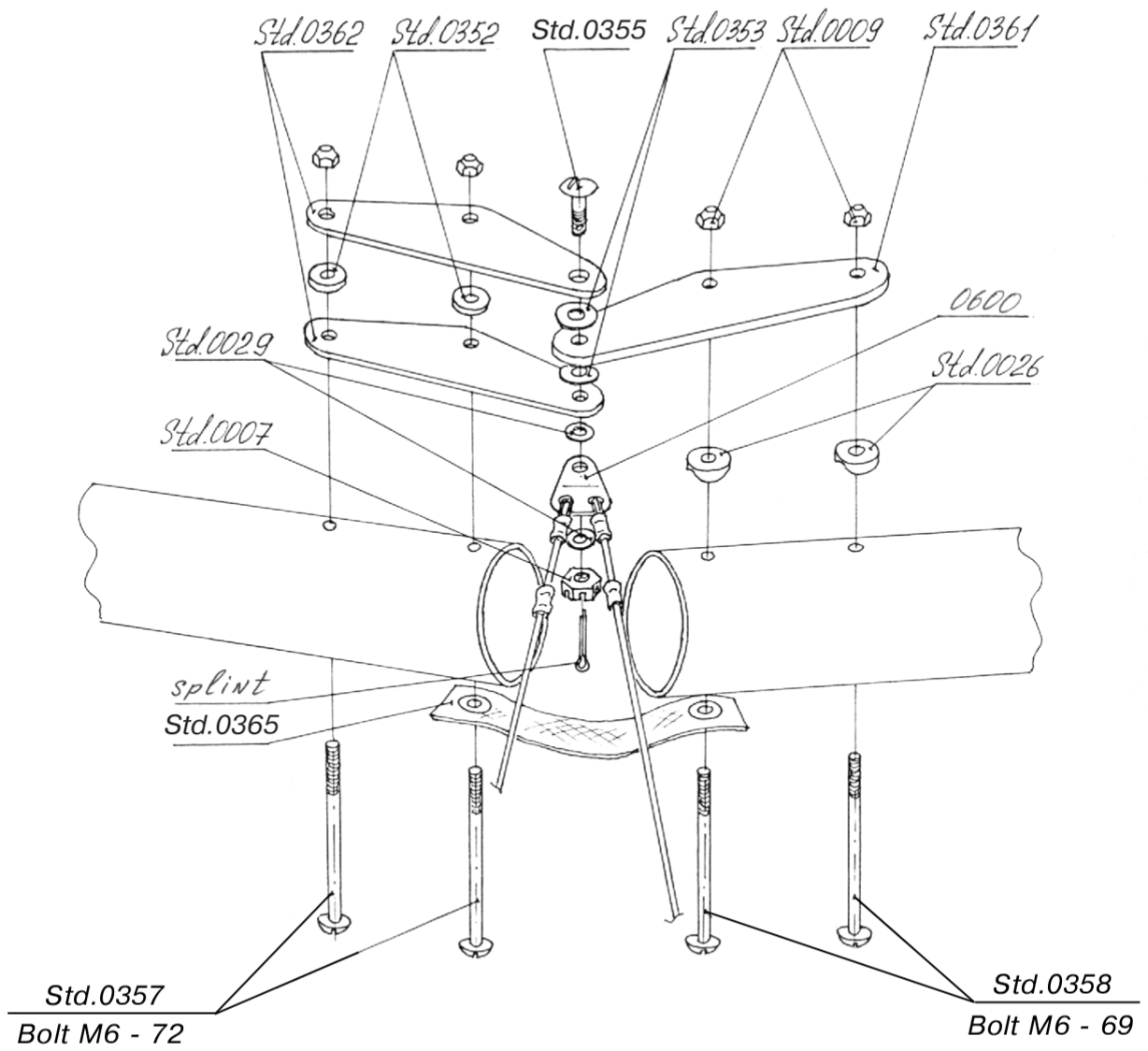
KEEL TUBE / KINGPOST JUNCTION OF HANG GLIDER "TARGET"

??????



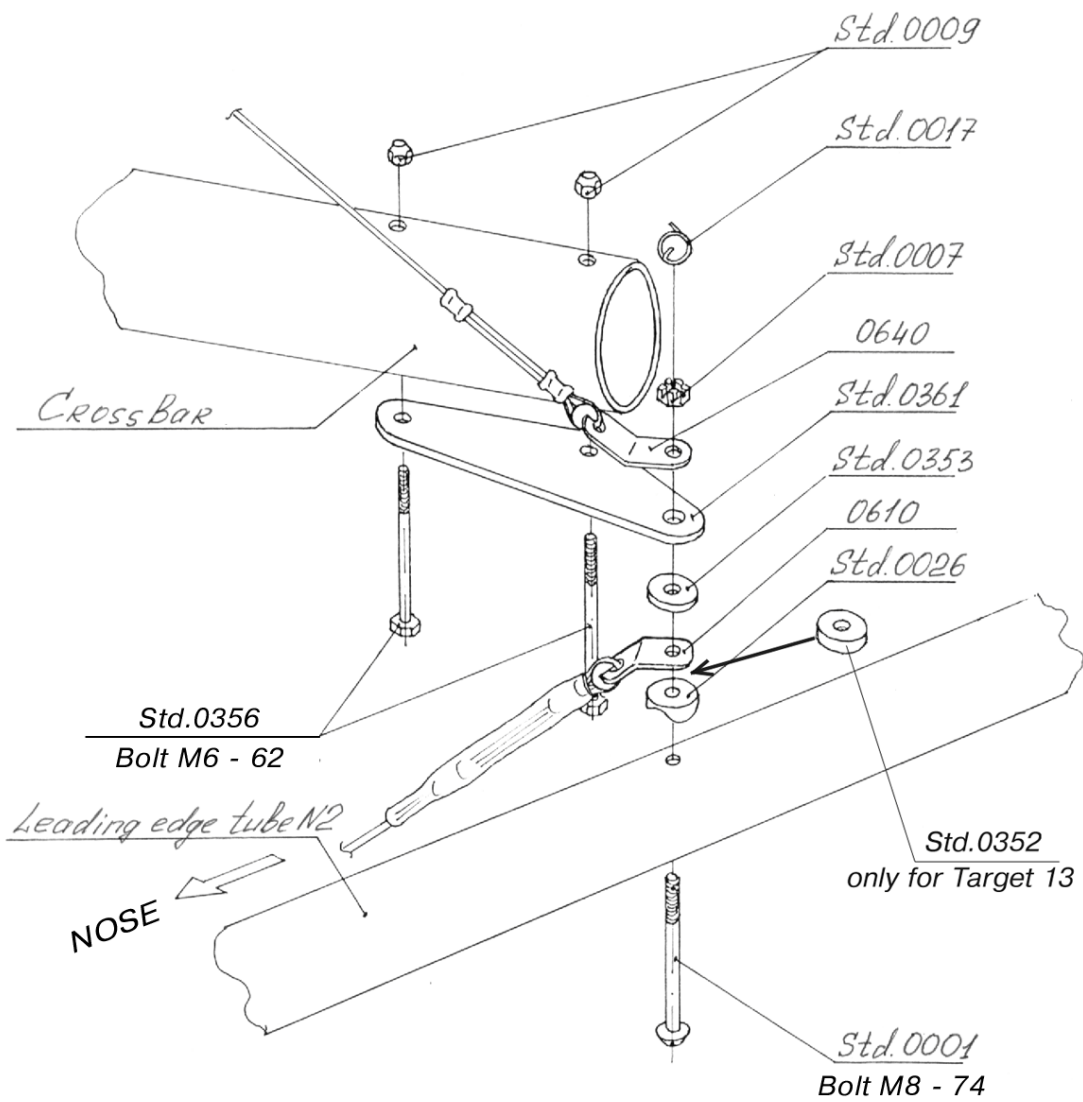
KEEL TUBE REAR JUNCTION OF HANG GLIDER "TARGET"

??????



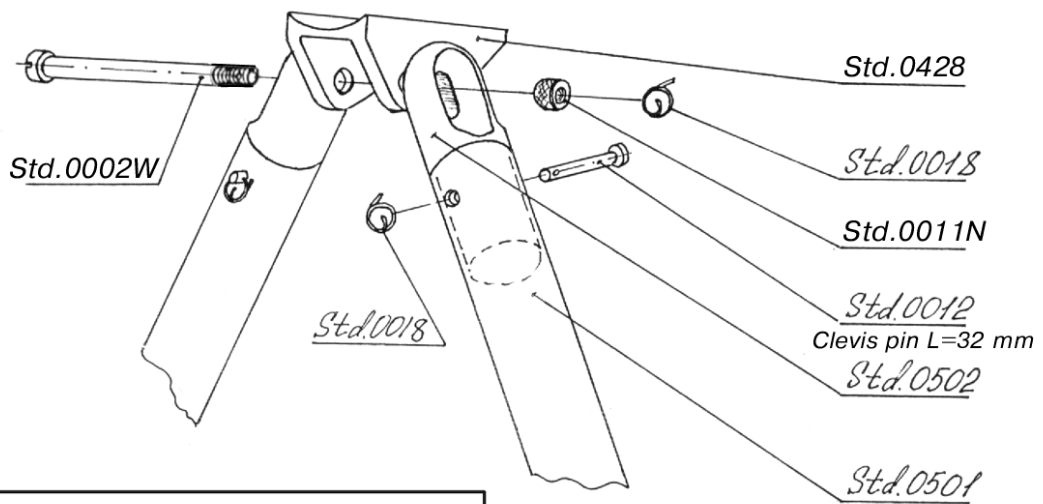
CROSS BAR JUNCTION OF HANG GLIDER "TARGET "

??????

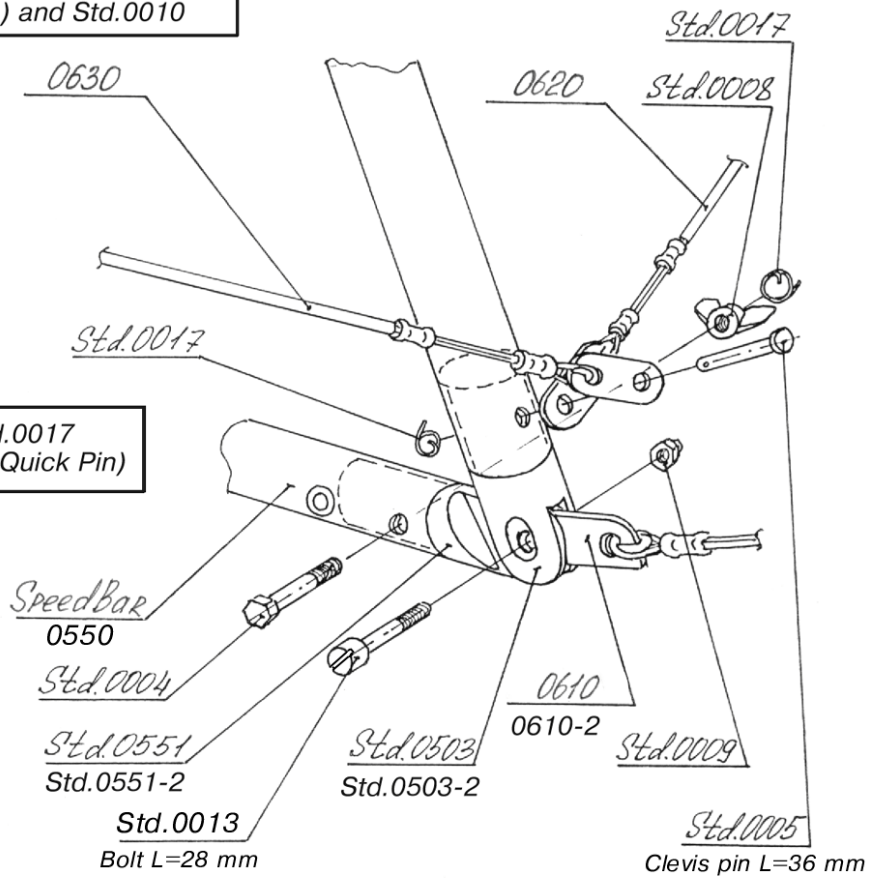


LEADING EDGE / CROSSBAR JUNCTION OF HANG GLIDER "TARGET"

??????



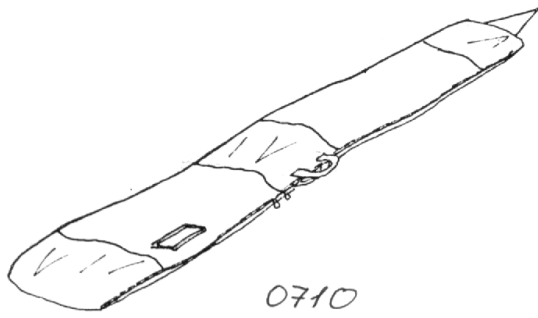
Details Std.0005 can chaing on details Std.0015 (bolt M6-40) and Std.0010



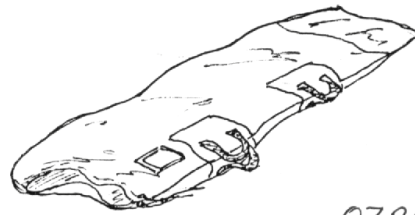
Details Std.0004, Std.0008, Std.0017 can chaing on detail Std.0559 (Quick Pin)

CONTROL BAR OF HANG GLIDER "TARGET"

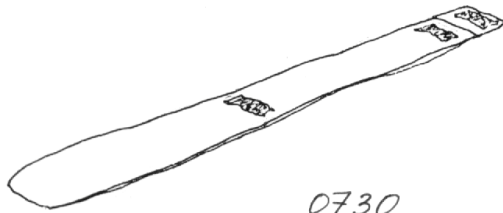
??????



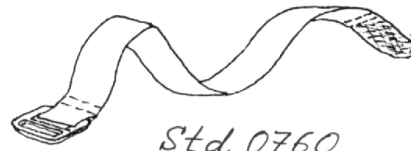
0710



0720



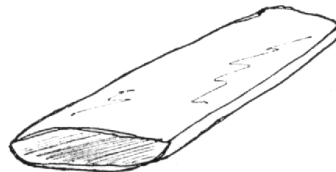
0730



Std. 0760



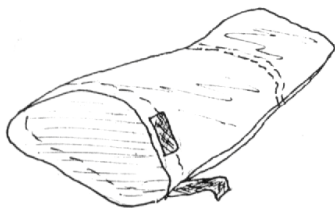
Std. 0770



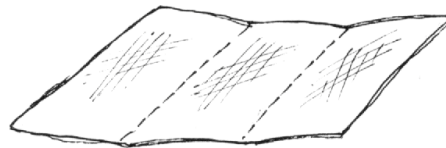
Std. 0740



Std. 0790



Std. 0755



Std. 0760

BAGS OF HANG GLIDER "TARGET"